

**Sermovil Automoci3n, S.L. Sertronic group**

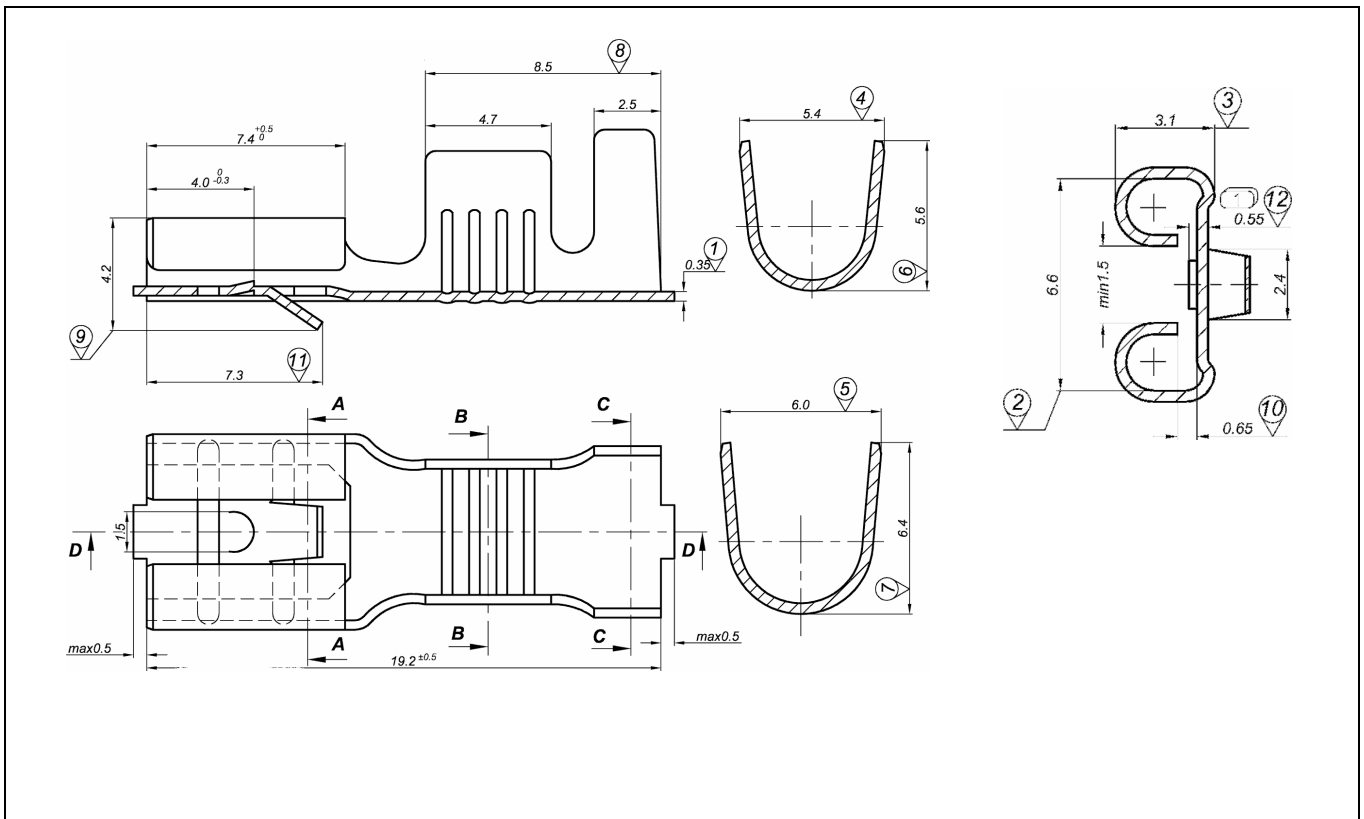
C/ Santiago Rusinyol, 14 NAVE A9 Pol. Ind. Can Humet de Dalt  
08130 – Polinya BARCELONA - SPAIN

[www.sertronic.es](http://www.sertronic.es) Tel. +34 902 111 335 Fax. +34 902 111 336 [sermovil@sertronic.es](mailto:sermovil@sertronic.es)

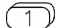
Doc. FH1 Enero 2006

**Part Code ES4449**

**DRAWING**



CABLE CROSS SECTION: 4.0-6.0 mm<sup>2</sup>  
SOURCE STANDARS: DIN 46340 T3  
Material CuZn-Sn

NO	MEASUREMENT DEVICE	MAX. VALUE	MIN. VALUE
1	MICROMETER	0.40	0.30
2	CALIPER	6.90	6.60
3	CALIPER	3.30	2.90
4	CALIPER	5.90	4.90
5	CALIPER	6.50	5.50
6	CALIPER	6.10	5.10
7	CALIPER	6.90	5.90
8	CALIPER	9.00	8.00
9	CALIPER	4.60	4.20
10	FEELER BLADE	0.70	0.60
11	CALIPER	7.30	6.90
12	CALIPER 	0.57	0.53

Sermovil Automoci3n, S.L.